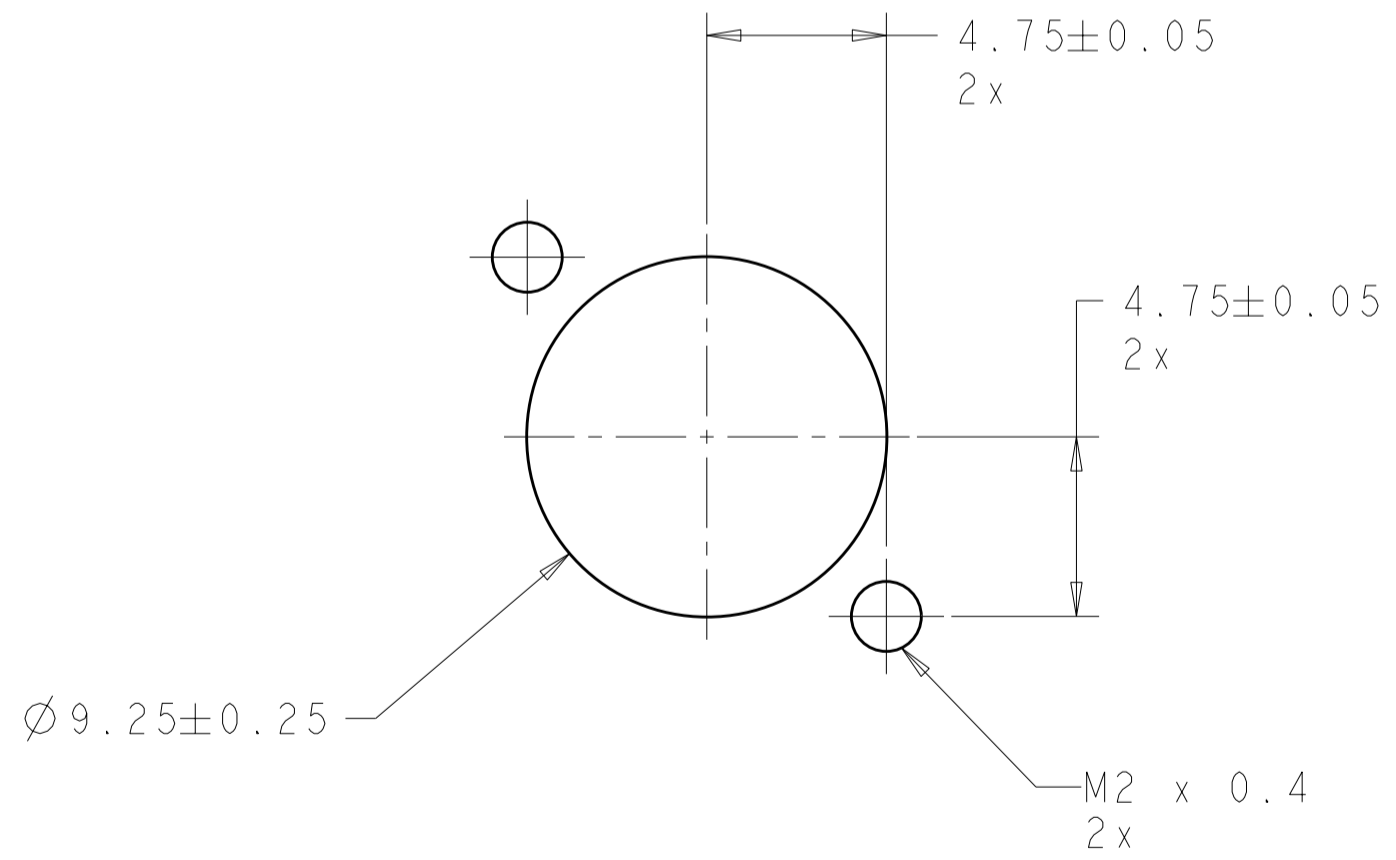
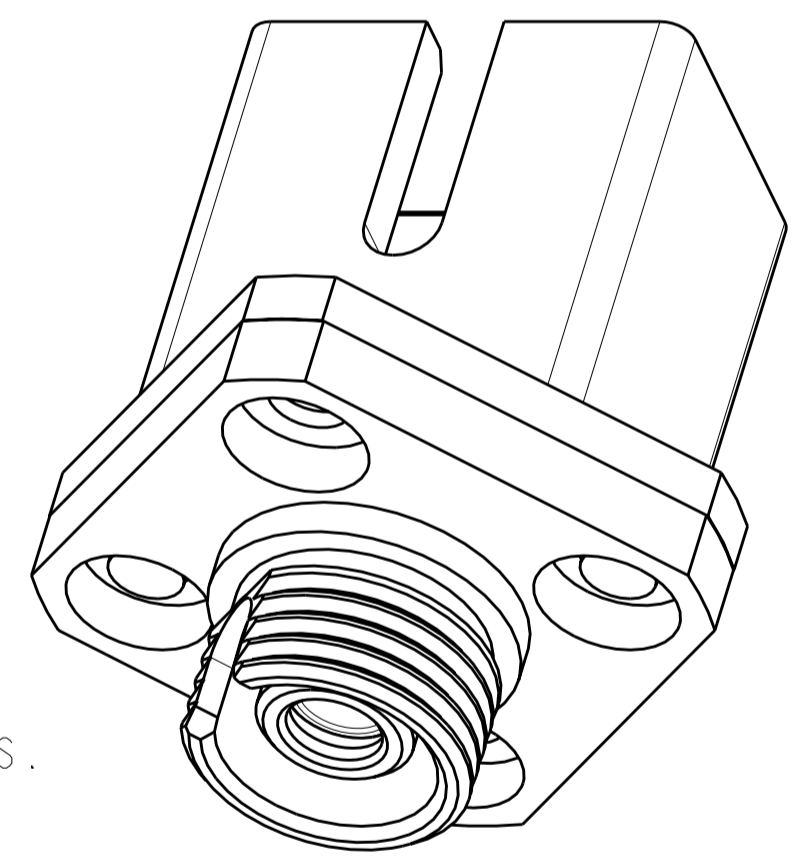
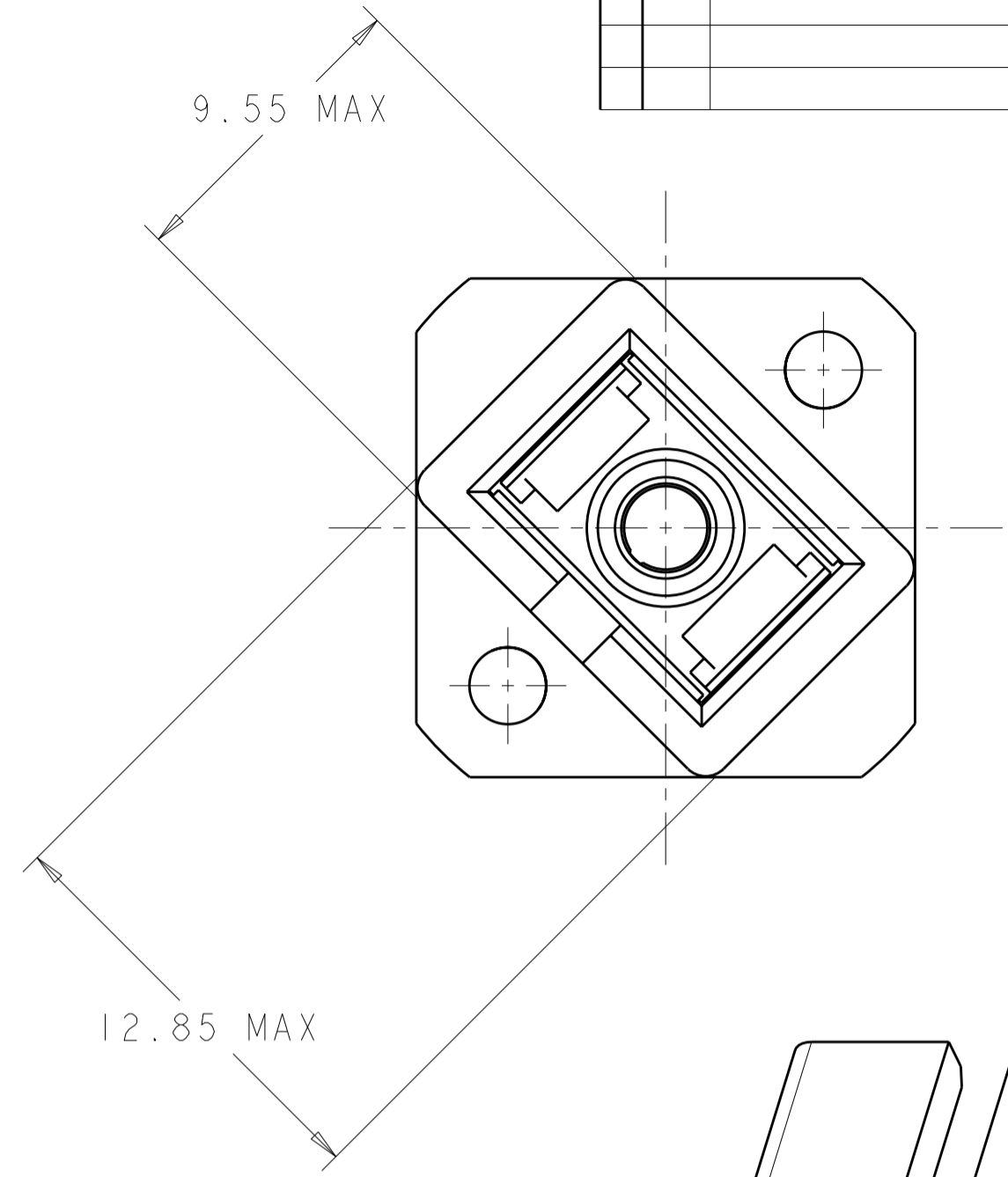
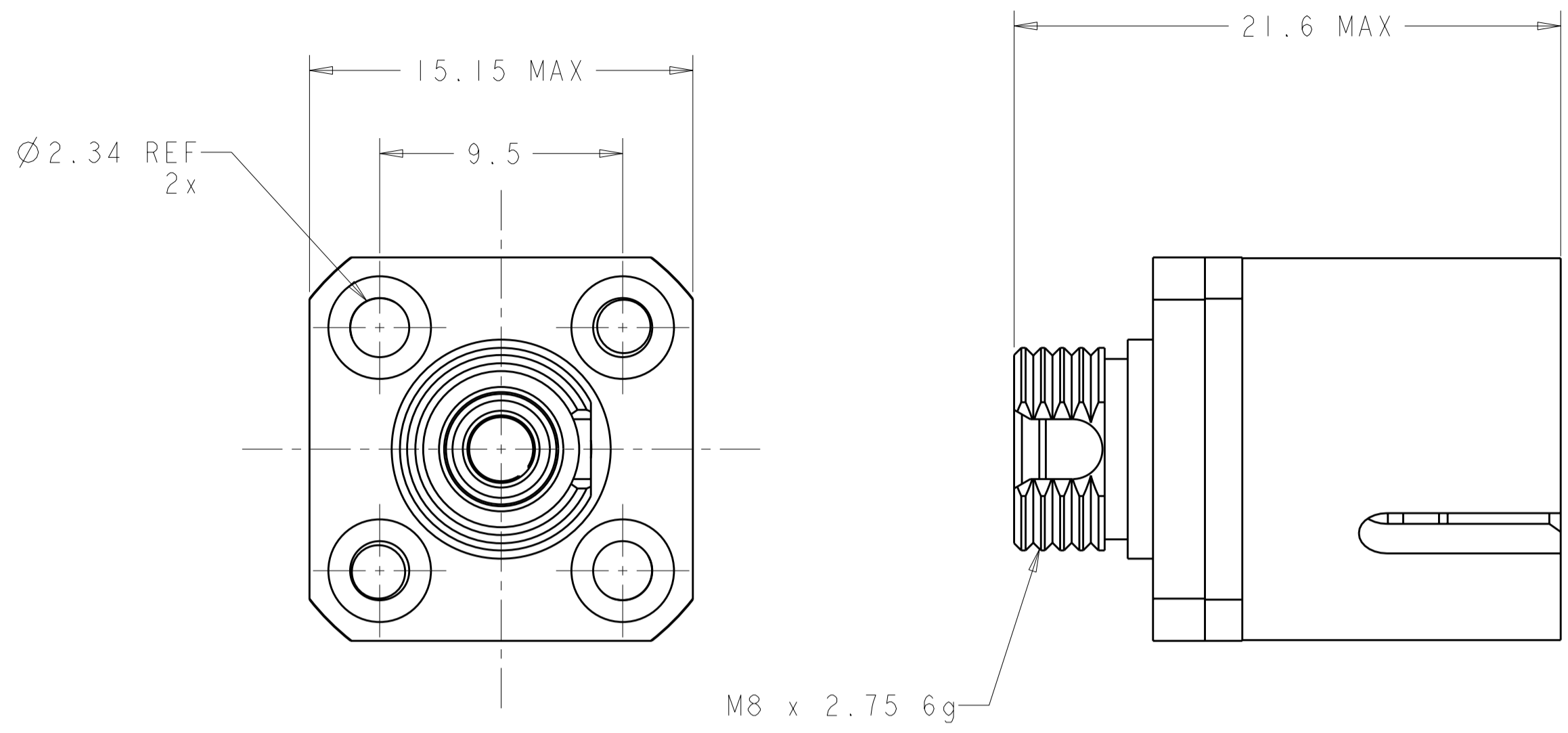


THIS DRAWING IS UNPUBLISHED. RELEASED FOR PUBLICATION 20
 © COPYRIGHT 20 BY TYCO ELECTRONICS CORPORATION. ALL RIGHTS RESERVED.

LOC	DIST	REVISIONS					
CE	00	P	LTR	DESCRIPTION	DATE	DWN	APVD
		A		RELEASE TO ACTIVE	07JUN2006	BB	SM



1. PROTECTIVE COVERS NOT SHOWN.

2 MATERIAL:
 HOUSING: NICKEL PLATED ZINC/BRASS
 SLEEVE: PHOSPHOR BRONZE
 SLEEVE: ZIRCONIA
 PROTECTIVE COVER: VINYL
 PROTECTIVE COVER: TPE, COLOR: BLACK, UL94 V-0
 RATED AT QUALIFYING THICKNESS.

SUGGESTED PANEL CUTOUT
 MAXIMUM PANEL THICKNESS 1.7

CERAMIC	5503480-2
METAL	5503480-1
ALIGNMENT SLEEVE	PART NUMBER

THIS DRAWING IS A CONTROLLED DOCUMENT FOR TYCO ELECTRONICS CORPORATION. IT IS SUBJECT TO CHANGE AND THE CONTROLLING ENGINEERING ORGANIZATION SHOULD BE CONTACTED FOR THE LATEST REVISION.		DWN B. BRIGGS 13MAY2005	Tyco Electronics Harrisburg, PA 17105-3608	
DIMENSIONS: mm [INCHES]		CHK S. MILLER 13MAY2005	NAME ADAPTER, HYBRID, SIMPLEX, METALLIZED AMP SC TO FC TYPE	
TOLERANCES UNLESS OTHERWISE SPECIFIED: 0 PLC ± 1 PLC ±0.1 2 PLC ± 3 PLC ± 4 PLC ± ANGLES ± FINISH		APVD S. BUCHTER 13MAY2005	RESTRICTED TO	
MATERIAL		PRODUCT SPEC	SIZE	CAGE CODE
2		APPLICATION SPEC	A200779	5503480
		WEIGHT	DRAWING NO	
		CUSTOMER DRAWING	5503480	
		SCALE	SHEET OF REV	
		5:1	1 1 A	